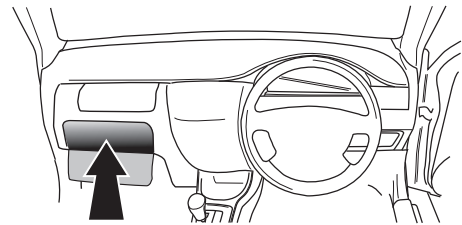


! INFO !

Do not charge the battery of the towing vehicle and/or towed vehicle directly via the socket.



User guide



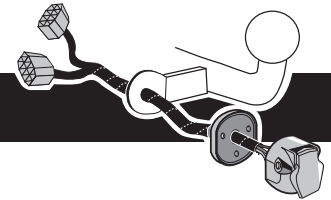
SPARE PARTS

www.ecs-electronicsuk.co.uk

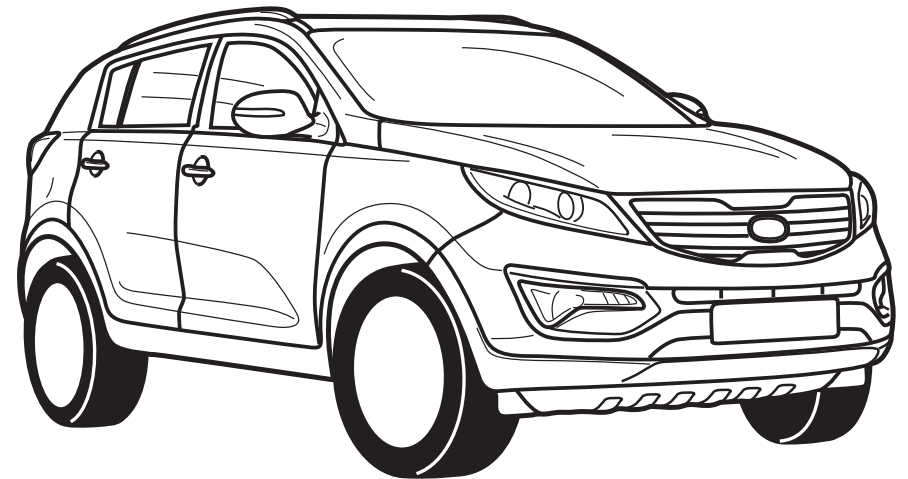


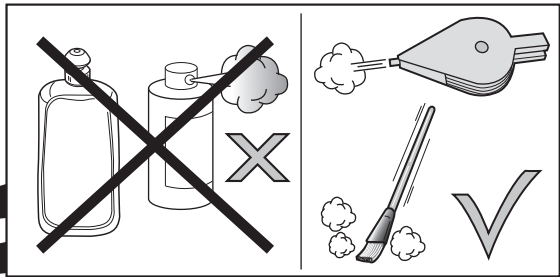
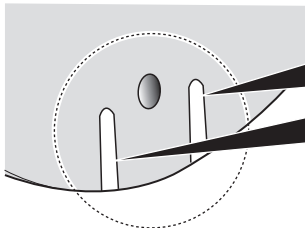
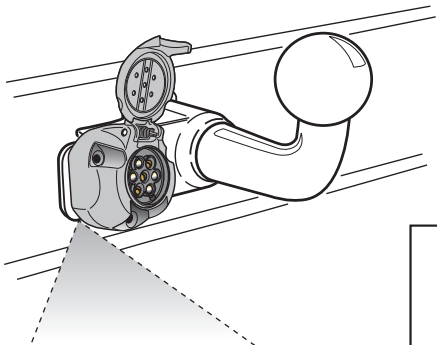
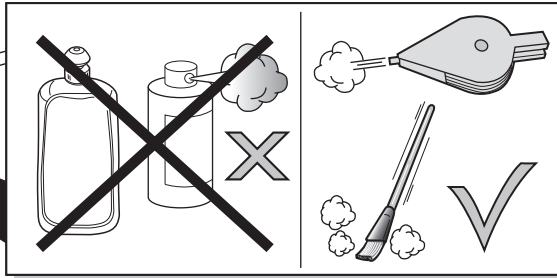
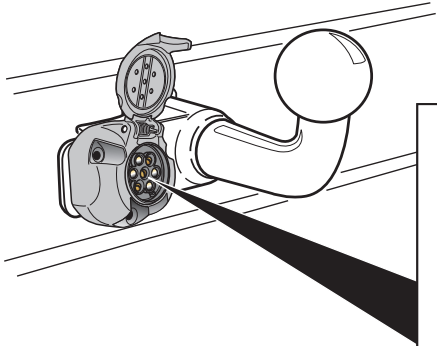
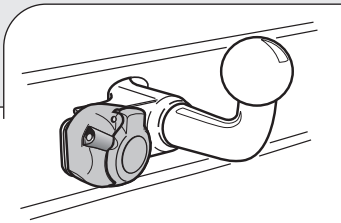
Partnr.: KI-066-BHU

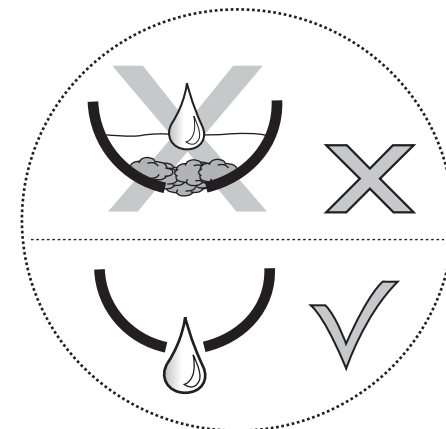
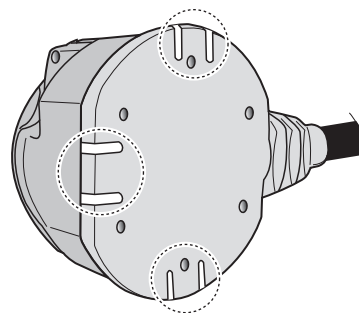
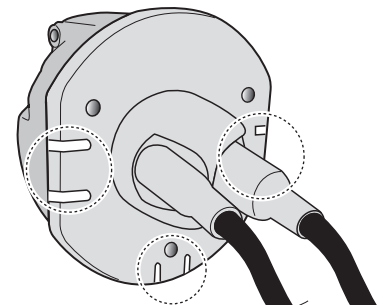
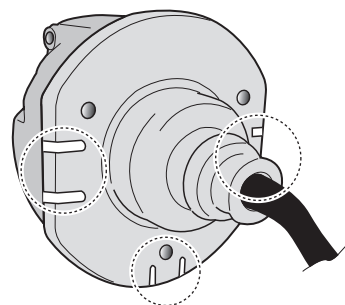
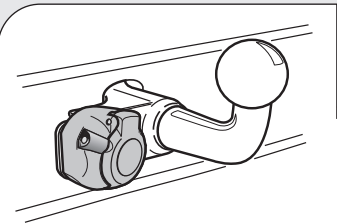
User Guide



Kia Sportage 2010-







SOCKET CONNECTION

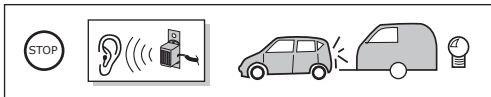
DIN/ISO 1724								
	1/L	2	3/31	4/R	5/58-R	6/54	7/58-L	8
Pmax	21W	2x21W		21W	52W	3x21W	52W	
Colour	Yellow	Blue	White	Green	Brown	Red	Black	Grey



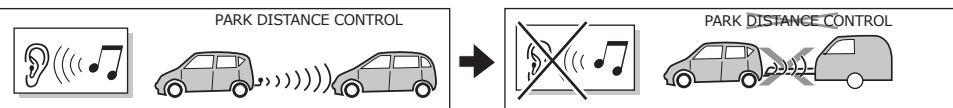
In a coupled trailer with working fog lamp, the fog lamp of the vehicle will be switched off, if applicable.



The flashing lights on the trailer are monitored by the 5C033 module. If one of the flashing lights of the trailer is defective, a buzzer is heard in synch with the flashing lights of the vehicle. Check the flashing lights on the trailer.



The brake lights on the trailer are monitored by the 5C033 module. If all the brake lights on the trailer are defective, a buzzer is heard upon braking. Check the brake lights on the trailer.



The wiring kit has a possibility to switch off any Park Distance Control in the case of a coupled trailer.

CHANGING THE FUSE

